

BEACON DISPATCH



2006 AD SIZES & RATES

FULL PAGE
\$ 360.00
12 1/4" HIGH
10" WIDE

1/2 PAGE HORIZONTAL
\$ 185.00
6" HIGH
10" WIDE

1/2 PAGE VERTICAL
\$ 185.00
12 1/4" HIGH
4 3/4" WIDE

1/4 PAGE VERTICAL
\$ 100.00
6" HIGH
4 3/4" WIDE

BUSINESS CARD
\$ 30.00
2 3/4" HIGH
4 3/4" WIDE

BUSINESS CARD
\$ 30.00
4" HIGH
3 1/8" WIDE

1/6 PAGE VERTICAL
\$ 60.00
6" HIGH
3 1/8" WIDE

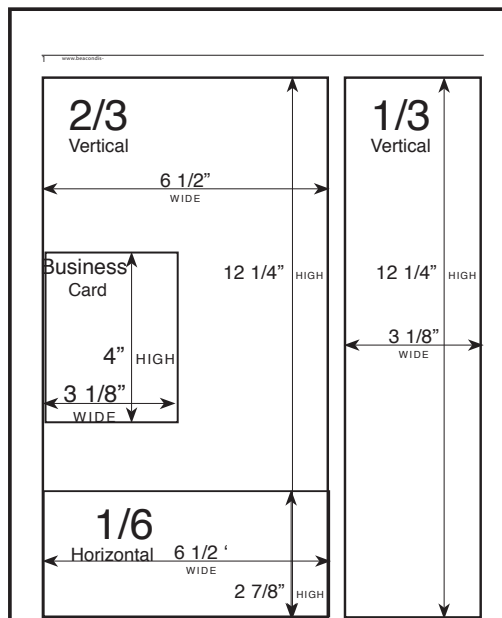
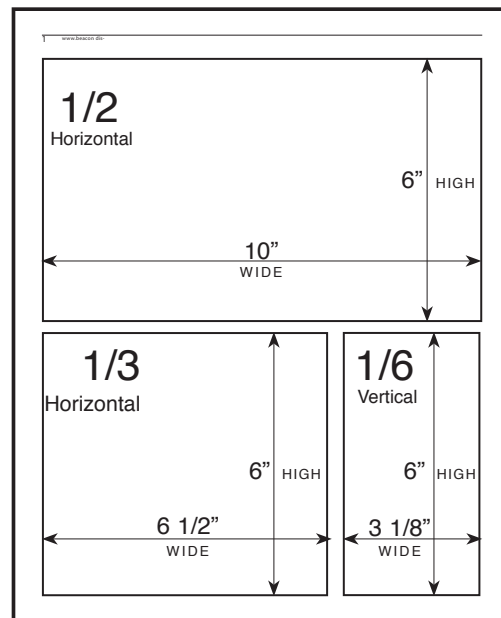
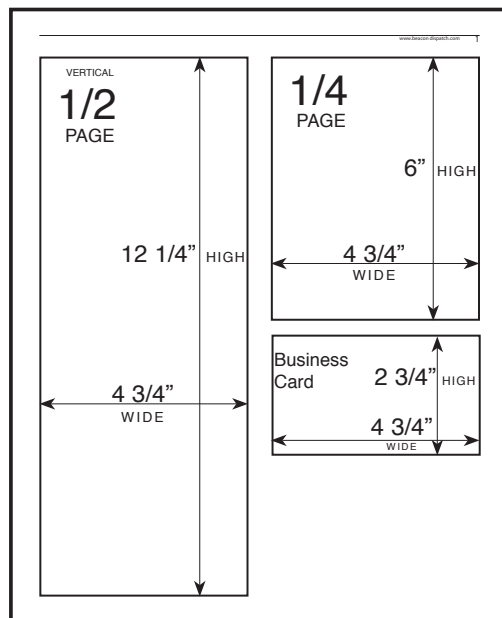
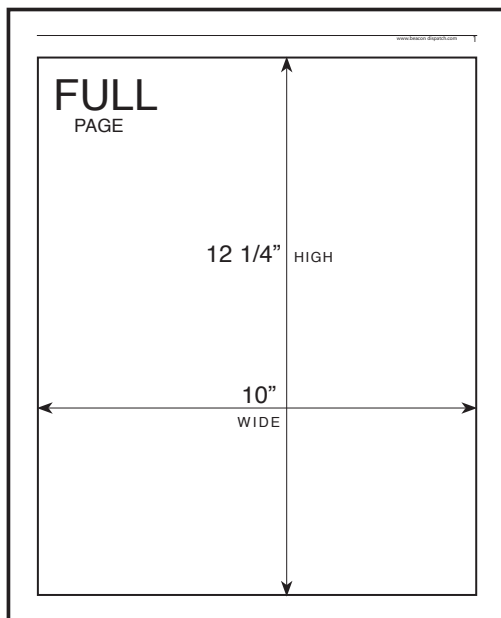
1/3 PAGE VERTICAL
\$ 150.00
12 1/4" HIGH
3 1/8" WIDE

2/3 PAGE VERTICAL
\$ 275.00
12 1/4" HIGH
6 1/2" WIDE

1/3 PAGE HORIZONTAL
\$ 150.00
6" HIGH
6 1/2" WIDE

1/6 PAGE HORIZONTAL
\$ 60.00
2 7/8" HIGH
6 1/2" WIDE

Rate sheet for 2006.
Prices subject to change.



Deadline: 20th of every month.

Formats: Ads can be accepted in any of the following formats: QuarkExpress (collect for out and include fonts and images), Photoshop (tiff or jpeg), Illustrator (eps with outlined fonts), Acrobat (pdf with outlined fonts), and Indesign. Mac fonts must be submitted with any file whose font is not outlined; PC and True Type fonts are not acceptable.

Design: Ads can be designed or assembled by Beacon Dispatch for a fee.

Submission:

By Mail: P.O. Box 863 Beacon NY 12508

By Email: ads@beacondispatch.com

By Fax: 845-831-0361

Other questions please call: Nell 845-424-4411 or Lauren 845-702-8043